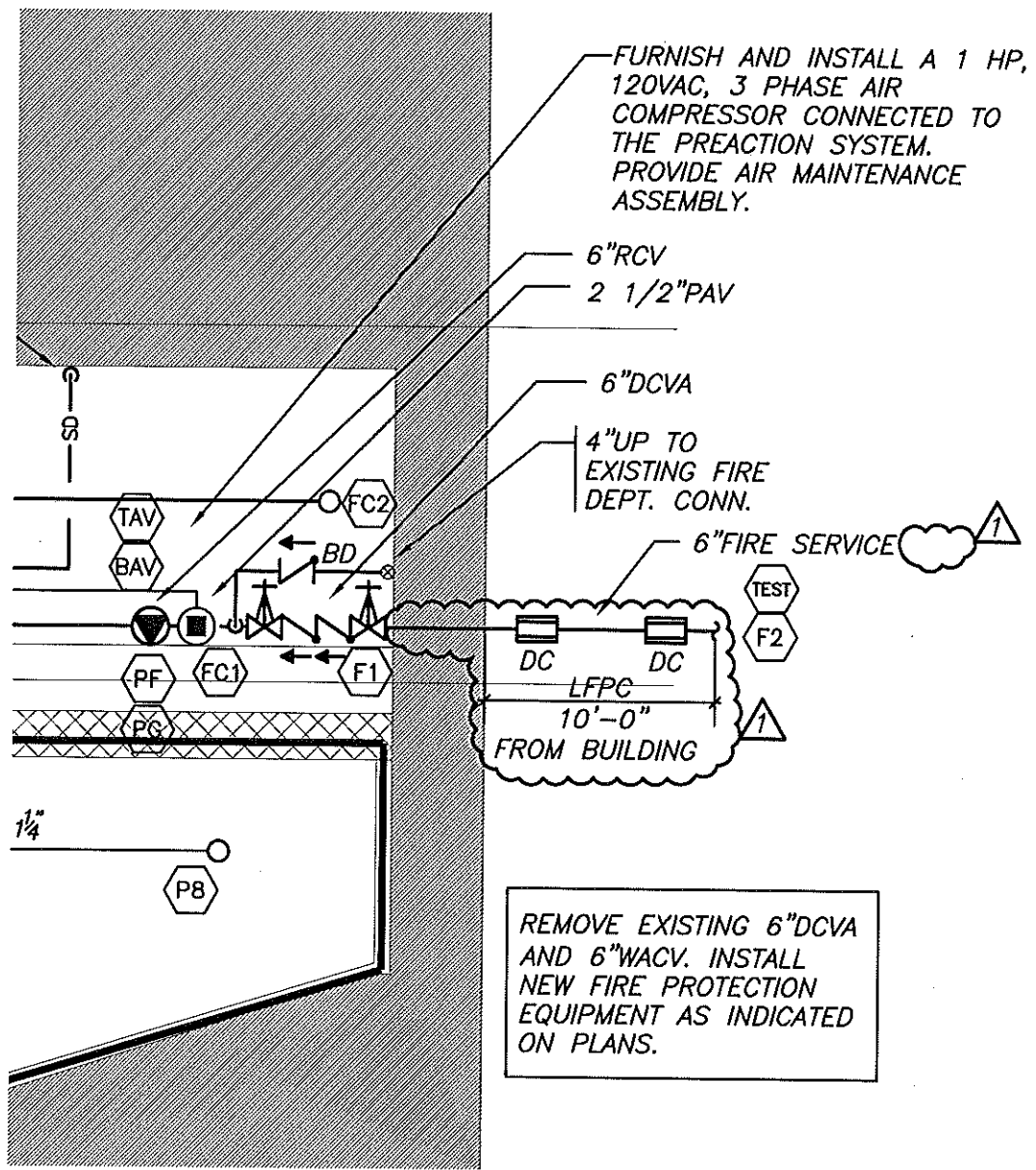


WATER SERVICE ENTRANCE - STRAIGHT LEAD-IN

NO SCALE



<p>10 MAGUIRE RD, STE 121 LEXINGTON, MA 02421 Main: (781) 372-3000 Fax: (781) 372-3100 Web: www.aha-engineers.com</p>	<p>AHA CONSULTING ENGINEERS Atlanta · Boston · Washington, DC</p>	<p>Project / Title: FIRE PROTECTION MERCANTILE BLOCK PROVIDENCE, RI △ NEW FIRE SERVICE</p>	<p>Sheet No. SKFP1</p>	
<p>Drawn: DAL</p>	<p>Checked: DAC</p>	<p>Date: 02/20/09</p>	<p>Ref. Dwg: FP001</p>	<p>Scale: NONE</p>



REMOVE EXISTING 6"DCVA AND 6"WACV. INSTALL NEW FIRE PROTECTION EQUIPMENT AS INDICATED ON PLANS.

10 MAGUIRE RD, STE 121
 LEXINGTON, MA 02421
 Main: (781) 372-3000
 Fax: (781) 372-3100
 Web: www.aha-engineers.com

AHA
 CONSULTING
 ENGINEERS
 Atlanta • Boston • Washington, DC

Project / Title:
 FIRE PROTECTION
 MERCANTILE BLOCK
 PROVIDENCE, RI
 ▲ NEW FIRE SERVICE

Sheet No.
SKFP2

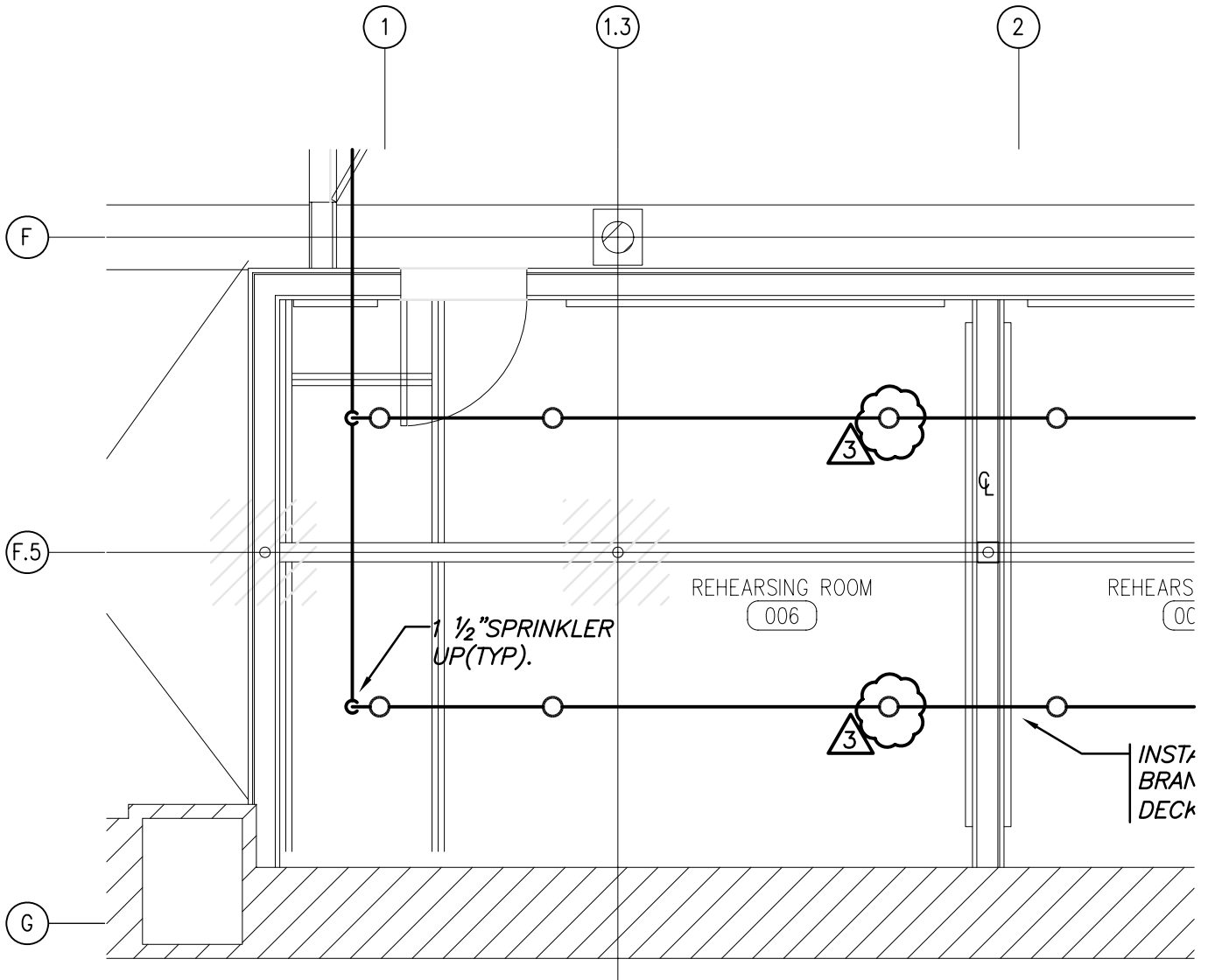
Drawn: DAL

Checked: DAC

Date: 02/20/09

Ref. Dwg: FP200

Scale: 1/4"=1'-0"



10 MAGUIRE RD, STE 121
 LEXINGTON, MA 02421
 Main: (781) 372-3000
 Fax: (781) 372-3100
 Web: www.aha-engineers.com



Project / Title:
 FIRE PROTECTION
 MERCANTILE BLOCK
 PROVIDENCE, RI
▲ ADDITIONAL SPRINKLERS AT REHEARS. RM 006

Sheet No.
SKFP3

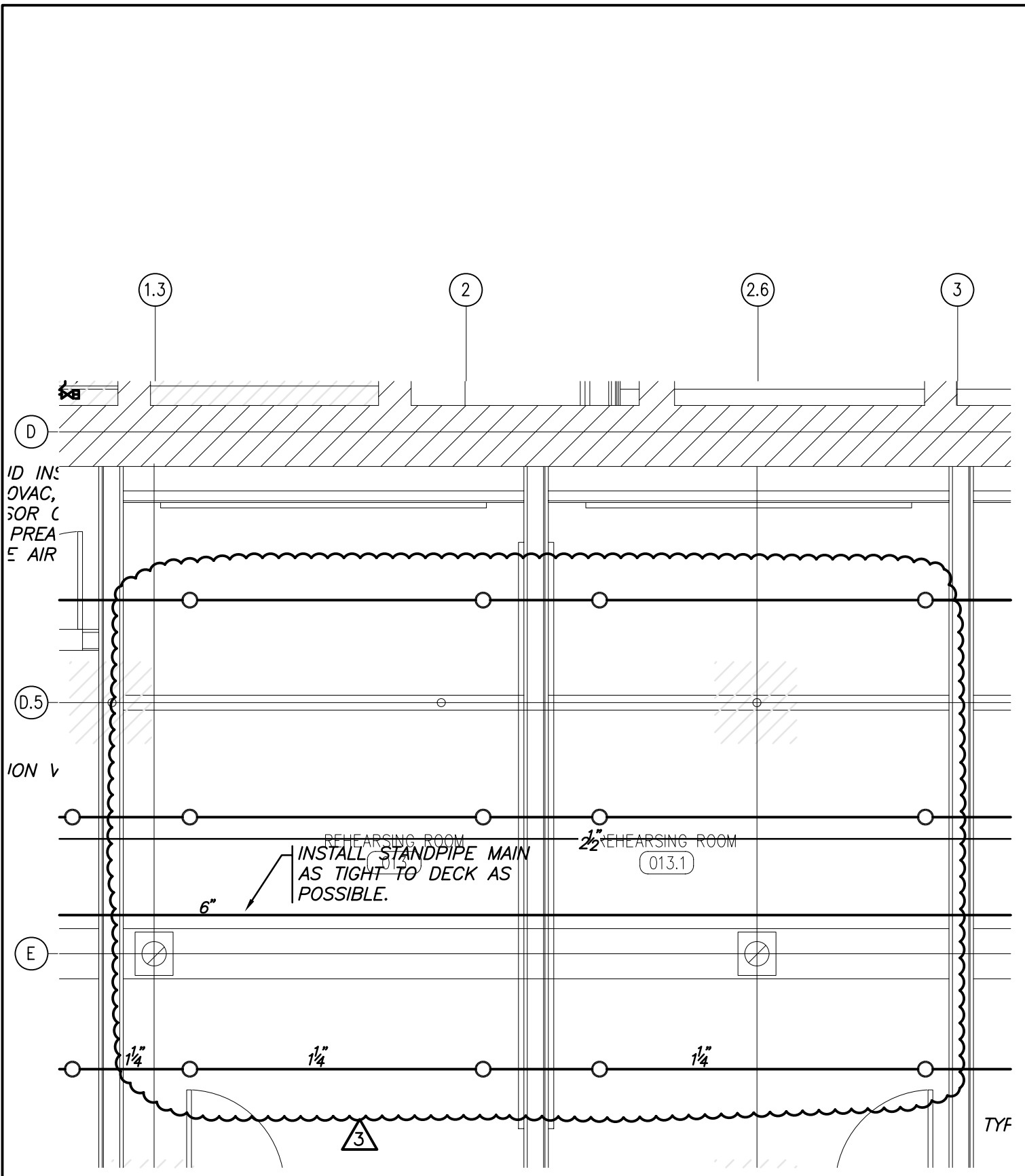
Drawn: DAL

Checked: DAC

Date: 04/02/2010

Ref. Dwg: FP200

Scale: 1/4"=1'-0"



10 MAGUIRE RD, STE 121
 LEXINGTON, MA 02421
 Main: (781) 372-3000
 Fax: (781) 372-3100
 Web: www.aha-engineers.com



Project / Title:
 FIRE PROTECTION
 MERCANTILE BLOCK
 PROVIDENCE, RI
 ADD. SPRINKLERS AT RHRSL RMS 013 + 013.1

Sheet No.
 SKFP4

Drawn: DAL

Checked: DAC

Date: 04/02/2010

Ref. Dwg: FP200

Scale: 1/4"=1'-0"